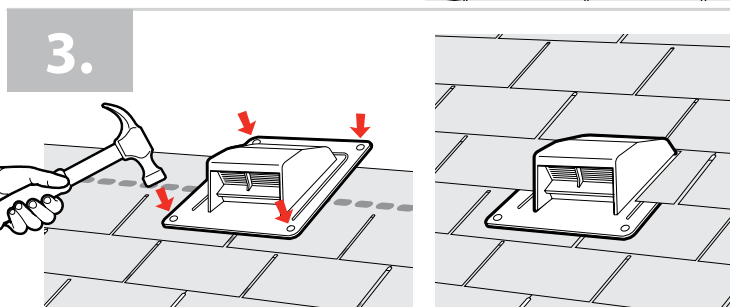
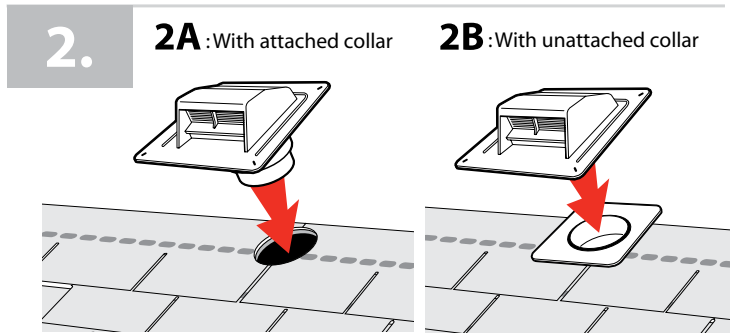
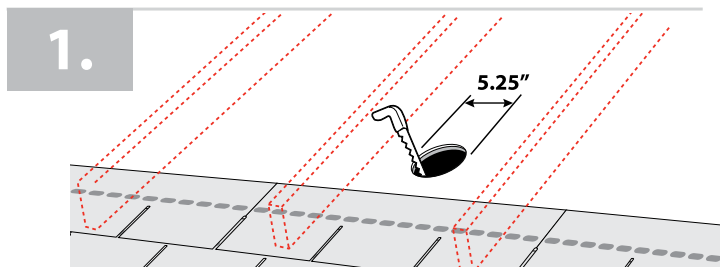


duraflo® INSTALLATION GUIDE

Installation of the **Duraflo Exhaust Vent** should comply with all local standards and regulations. Before beginning a job, determine the CFM requirement of the exhaust fan and what size of vent would best suit the job.



For New Construction or Re-Roofing

1. Determine the location of vents:

Place the exhaust vent in a location that will allow for the connection of the vent pipe, marking the desired location of the exhaust vent before cutting holes. Centre the hole between the rafters.

Cut and prepare the opening:

Cut the hole in the sheathing before applying shingles. Shingle up until the first full course of shingles covers the bottom of the hole. Cut the excess shingles away from the hole.

2. Position the vent

2A: Duraflo Exhaust Vents should be placed so that the vent grill openings face the eave of the roof. Make sure the throat of the vent is in the proper position centered over the opening. When using the adaptor collar determine the pipe size to be attached and cut away smaller size rings as required.

2B: If the adaptor collar is unattached, centre and secure the collar over opening prior to installing the exhaust vent.

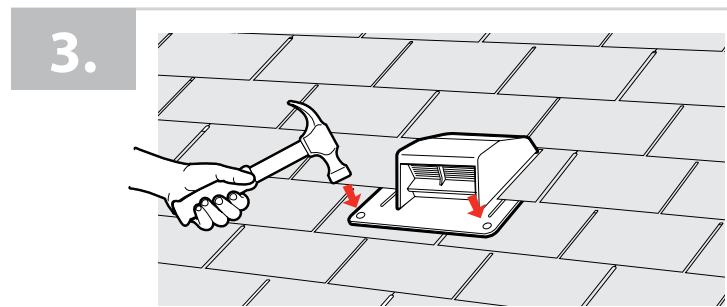
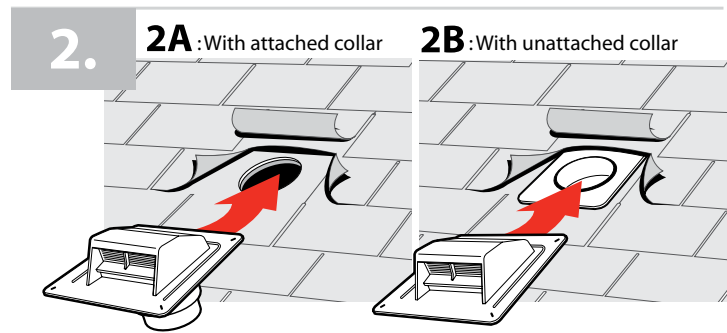
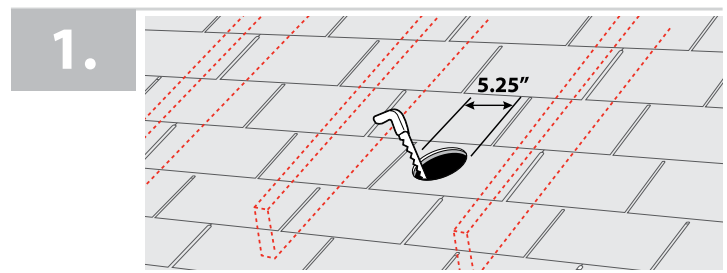
3. Complete installation:

Continue installing shingles, overlapping the flange of the vent. Cut the shingles around the top of the vent to match its shape. The shingles should overlap the top half of the vent's flange. The bottom half of the vent's flange will be exposed on top of the shingles.

Please Read **Caution** Below.

Caution:

DO NOT USE roofing cement /roofing tar to seal the vent to the roof. The wide flange and molded-in water guards will force the water down the roof over the shingles. The polypropylene flange is large enough and flexible enough to effectively self seal against the roof without the aid of roofing tars. Roofing tars are potentially damaging to the roof vent and the asphalt shingles. Use of roofing tar will void any warranty on the Duraflo Roof Vents. Optional: Seal all nail heads with an approved sealant, such as silicone. Make sure the sealant is a non-petroleum product (usually available in a plastic tube).



Adding Ventilation to Finished Roofs

1. Determine the location of vents:

Place the exhaust vent in a location that will allow for the connection of the vent pipe, marking the desired location of the exhaust vent before cutting holes. Centre the hole between the rafters.

Cut and prepare the opening:

Using a sharp knife, cut away shingles. Cut through the sheathing using a keyhole saw or electric reciprocating saw. Carefully remove the roofing nails within 4" of the hole. Cut the shingles at the top of the hole to accommodate the molded peak of the roof vent.

2. Position the vent and nail the vent in place:

2A: Slide the vent into place beneath the shingles ensuring that the throat of the vent is centered on the hole. The shingles should overlap the top half of the vent flange. The bottom half of the vent's flange will be exposed on top of the shingles.

Duraflo Exhaust Vents should be placed so that the vent grill openings face the eave of the roof. When using the adaptor collar determine the pipe size to be attached and cut away smaller size rings as required. **2B:** If the adaptor collar is unattached, centre and secure the collar over opening prior to installing the exhaust vent.

3. Nail the vent into place:

Nail the vent into place, using the pre-marked holes. Replace nails in the shingles as necessary to ensure a proper seal.

Please Read **Caution** Below.

Canplas Industries Ltd.
P.O. Box 1800, 500 Veterans Drive
Barrie, Ontario, Canada L4M 4V3
Tel. (705) 726-3361
Toll Free 1-800-461-5300
Fax: (705) 726-2186

Canplas LLC
11402 East 53rd Ave.
Suite 200, Denver, CO, U.S.A. 80239
Tel: (303) 373-1923
Toll Free: 1-800-461-5307
Fax: (303) 373-1928

www.duraflo.com

canplas® an OAlitax company