

PermOseal[®]

Flexible

BASE FLASHING

*Extreme
Cold Resistant*

Newly
engineered
material stays
flexible in extreme
cold conditions

MODEL:

551141BL
1.5" Pipe Size

551142BL
2" Pipe Size

551143BL
3" Pipe Size

551144BL
4" Pipe Size

- UV and Extreme Cold Resistant
- Built in water deflectors
- Fits roof pitches from 2/12 to 12/12

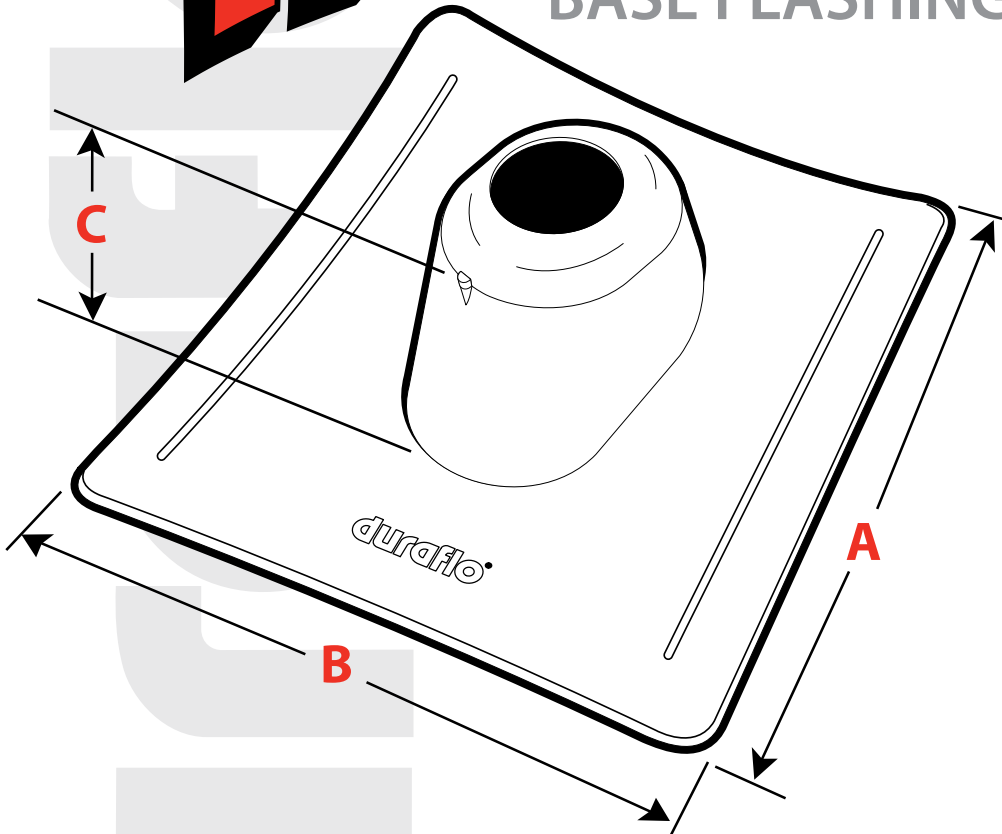
duraflo.com
WE KNOW VENTILATION

by **canplas**[®]

PermOseal®

Flexible

BASE FLASHING



Dimensions:

MODEL:
551141BL
1.5" Pipe Size

A: 15"
B: 13"
C: 3-1/2"

MODEL:
551142BL
2" Pipe Size

A: 15"
B: 13"
C: 3-1/2"

MODEL:
551143BL
3" Pipe Size

A: 18"
B: 16-1/4"
C: 4-1/2"

MODEL:
551144BL
4" Pipe Size

A: 18"
B: 16-1/4"
C: 4-1/2"

The new PermOseal® Flexible Base Flashing by Duraflo® is made to withstand extreme weather conditions

Our newly engineered material stays flexible in extreme cold conditions and accommodates a wide variety of pipe sizes. Available with a 1.5", 2", 3" or 4" opening. The Flexible Base Flashing simply out performs in cold weather.

COLOR	PART #	CTN. QTY.	WT.CTN. (LBS.)
PIPE SIZE 1.5"			
Black	551141BL	12	8
PIPE SIZE 2"			
Black	551142BL	12	8
PIPE SIZE 3"			
Black	551143BL	12	11
PIPE SIZE 4"			
Black	551144BL	12	12



Canplas Industries Ltd.
P.O. Box 1800, 500 Veterans Drive
Barrie, Ontario
Canada L4M 4V3
Tel: (705) 726-3361
Fax: (705) 726-8991

Canplas Industries Ltd.
11408 - 163rd Street
Edmonton, Alberta,
Canada T5M 3T3
Tel: (780) 451-3206
Fax: (780) 452-0536
Email: prairie.sales@canplas.com

Canplas Industries Ltd.
9489 - 200 Street, Unit 201
Langley, B.C.
Canada V1M 3A7
Tel: (604) 455-0432
Fax: (604) 455-0452
Email: bc.sales@canplas.com

Canplas LLC
11402 East 53rd Ave., Suite 200
Denver, Colorado
U.S.A. 80239
Tel: (303) 373-1918
Fax: (303) 373-1923

duraflo.com
WE KNOW VENTILATION

E-mail: duraflo@canplas.com
www.duraflo.com
1-800-461-1771

canplas
an OAliaxis company