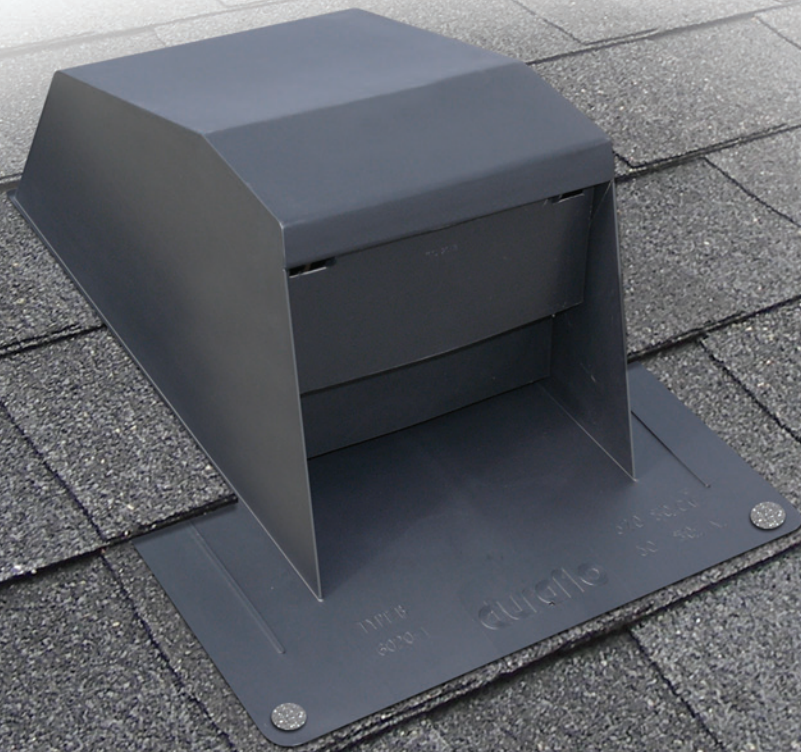
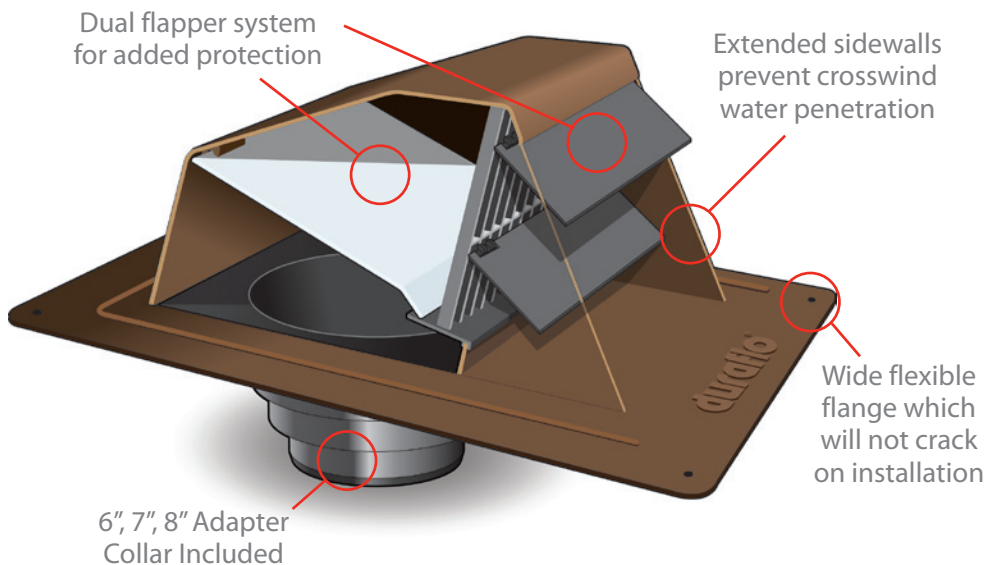


duraflo[®] *Rangehood* Exhaust Vent



When you need the right amount of airflow, Duraflo Rangehood



- **Excellent UV Performance**
- Large enough to handle even the most modern high-powered rangehood fans
- Leakproof, seamless outer shell
- Unique angled flapper design helps eliminate chatter
- Flexible flange which will not crack on installation, even in extreme cold
- Available in Black and Brown

duraflo.com
WE KNOW VENTILATION

www.duraflo.com

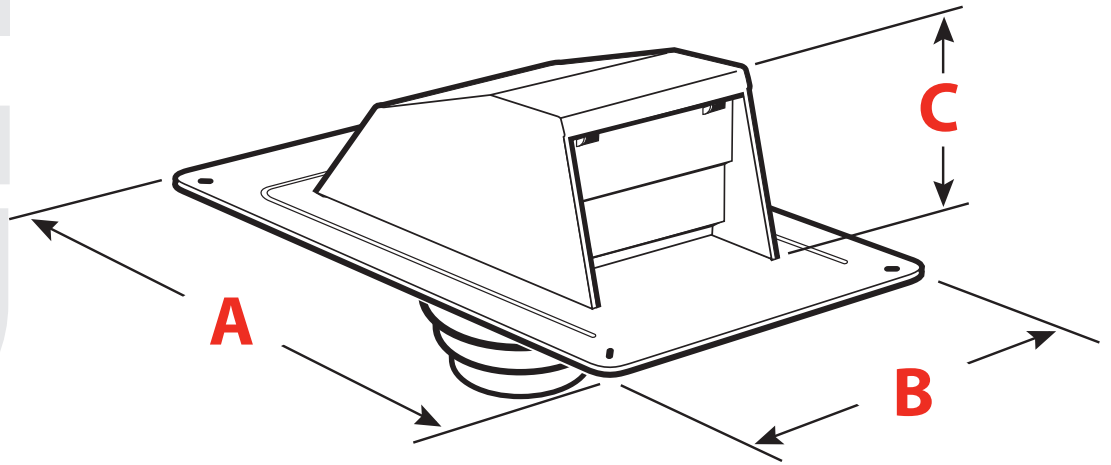
CAN: 1-800-461-1771 USA: 1-888-461-5307

canplas[™]

an OAliaxis company



duraflo[®] *Rangehood* *Exhaust Vent*



RANGEHOOD EXHAUST VENT - WITH ADAPTER COLLAR

DESCRIPTION	PART #	CTN. QTY.	WT.CTN. (LBS.)
Black	6020BL	2	7
Brown	6020BR	2	7

A: 24"
B: 16-1/4"
C: 8-1/4"

Duraflo Continues to Design Better Exhaust Vents

We selected a group of roofers, builders and architects to ask the question - "What do you need in ventilation products?". The answer was simple and clear - "Make an attractive, quality exhaust vent and, of course, make it weatherproof".

The Duraflo Rangehood vent is ideal for venting kitchen range hoods and other large exhaust fans through the roof.

The Rangehood vent is large enough to handle the most modern, high powered kitchen fans. The seamless body and dual flapper system prevents back draft and weather infiltration and also includes a 6", 7" and 8" adapter collar.

Duraflo, developing products that meet your needs!

CANADA

Canplas Industries Ltd.
P.O. Box 1800, 500 Veterans Dr.
Barrie, Ontario
Canada L4M 4V3
Tel: (705) 726-3361
Fax: (705) 726-8991
Toll Free: 1-800-461-5300

Canplas Industries Ltd.
11408 - 163rd Street
Edmonton, Alberta,
Canada T5M 3T3
Tel: (780) 451-3206
Fax: (780) 452-0536
Email: prairie.sales@canplas.com

Canplas Industries Ltd.
9489 - 200 Street, Unit 201
Langley, B.C.
Canada V1M 3A7
Tel: (604) 455-0432
Fax: (604) 455-0452
Email: bc.sales@canplas.com

USA

Canplas LLC
11402 East 53rd Ave., Suite 200
Denver, Colorado
U.S.A. 80239
Tel: (303) 373-1918
Fax: (303) 373-1923
Toll Free: 1-888-461-5307

E-mail: duraflo@canplas.com
www.duraflo.com

canplas[®]

an *OAliaxis* company