

**duraflo**<sup>®</sup>

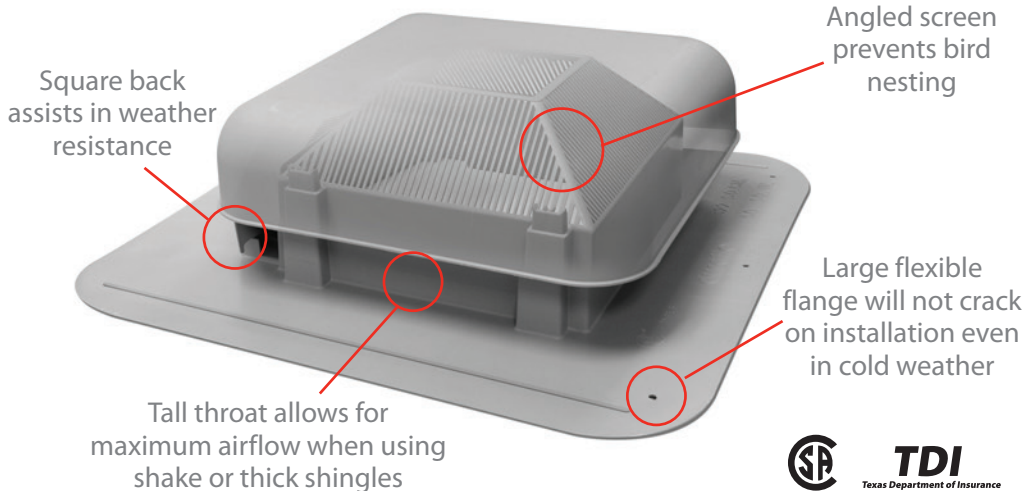
# 6050T

*The Universal Roof Vent*



## **The Vent for Shake or Thick Shingles**

- 50 sq. in. of net free area
- Available in four colors, Black, Brown, Gray and Weatherwood
- CSA & TDI approved
- Designed for the hottest summers and the coldest winters



**TDI**  
Texas Department of Insurance

**duraflo**.com  
WE KNOW VENTILATION

[www.duraflo.com](http://www.duraflo.com)

CAN: 1-800-461-1771 USA: 1-888-461-5307

**canplas**<sup>™</sup>

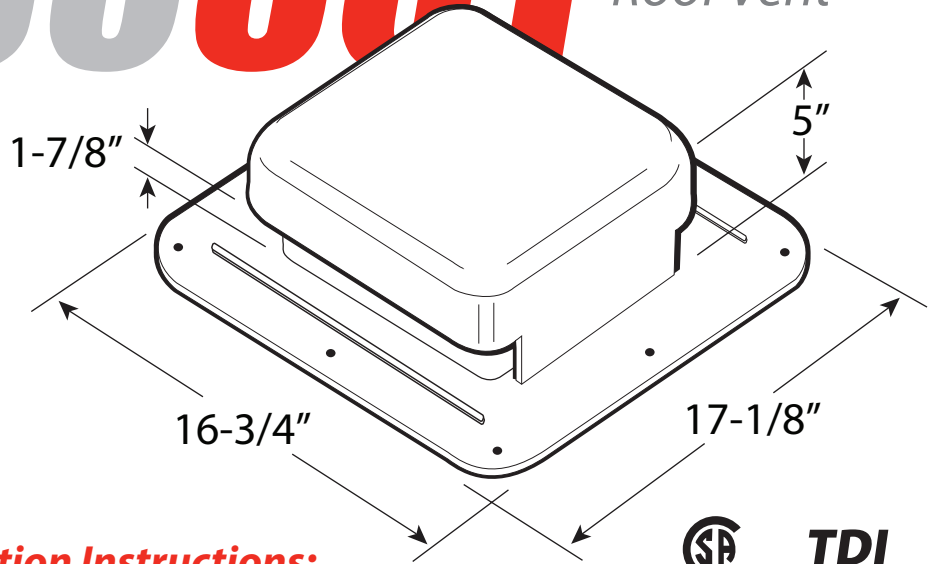
an *O*Aliaxis company



**duraflo**<sup>®</sup>

# 6050T

The Universal Roof Vent



**TDI**  
Texas Department of Insurance

## Installation Instructions:

**Step 1:** Mark the desired location of all roof vents before cutting holes. Center the holes between the rafters within two feet (24") from the peak of the roof. The hole must be 7.5" square for a 50 square inch vent. Your cuts must be within a quarter-inch of the instructed size.

**Step 2:** Cut the holes in the sheathing before applying shingles. Shingle up until the first course of shingles covers the bottom of the hole. Cut excess shingles away and install the roof vent using the pre drilled or marked nail holes. The tops of all Duraflo roof vents are marked top for proper installation.

**Step 3:** The wide flange and molded-in water guards will force the water down the roof over the shingles. The polypropylene flange is large enough and flexible enough to effectively seal itself against the roof without the aid of roofing tars. Petroleum based roofing tars are potentially damaging to the roof vent and asphalt shingles. Use of petroleum based roofing tar will void any warranty on Duraflo Roof Vents. If a secondary sealant is necessary, use an appropriate non-petroleum product, such as silicone. Continue installing shingles, overlapping the flange on the vent. Cut the shingles around the top of the vent to match its shape.

Net Free Area	Description	PART #	Size	CTN. QTY.	WT.CTN. (LBS.)
50 Sq. In.	Black	6050TBL	17-1/8" x 16-3/4" x 5"	12	17
50 Sq. In.	Brown	6050TBR	17-1/8" x 16-3/4" x 5"	12	17
50 Sq. In.	Gray	6050TG	17-1/8" x 16-3/4" x 5"	12	17
50 Sq. In.	Weatherwood	6050TWW	17-1/8" x 16-3/4" x 5"	12	17

### CANADA

**Canplas Industries Ltd.**  
P.O. Box 1800, 500 Veterans Dr.  
Barrie, Ontario  
Canada L4M 4V3  
Tel: (705) 726-3361  
Fax: (705) 726-8991  
Toll Free: 1-800-461-5300

**Canplas Industries Ltd.**  
11408 - 163rd Street  
Edmonton, Alberta,  
Canada T5M 3T3  
Tel: (780) 451-3206  
Fax: (780) 452-0536  
Email: prairie.sales@canplas.com

**Canplas Industries Ltd.**  
9489 - 200 Street, Unit 201  
Langley, B.C.  
Canada V1M 3A7  
Tel: (604) 455-0432  
Fax: (604) 455-0452  
Email: bc.sales@canplas.com

### USA

**Canplas LLC**  
11402 East 53rd Ave., Suite 200  
Denver, Colorado  
U.S.A. 80239  
Tel: (303) 373-1918  
Fax: (303) 373-1923  
Toll Free: 1-888-461-5307

E-mail: [duraflo@canplas.com](mailto:duraflo@canplas.com)  
[www.duraflo.com](http://www.duraflo.com)

**canplas**<sup>®</sup>

an OAliaxis company