



WeatherPRO Series PRO SlantBack

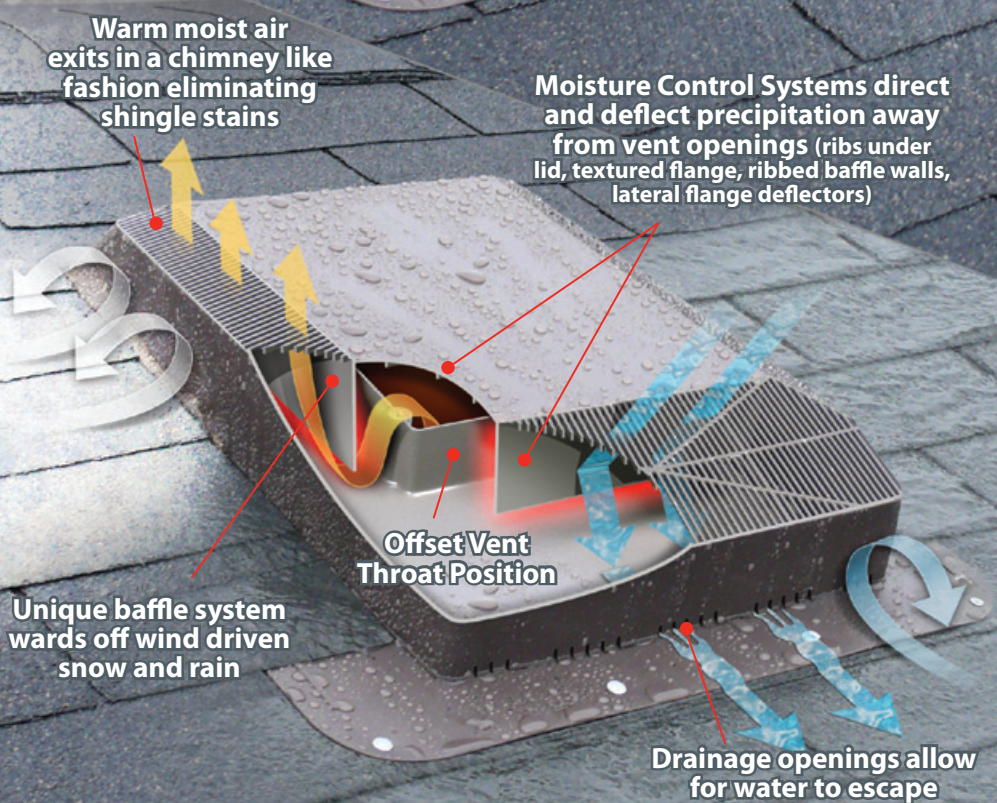


**Tested to
Category 2 Hurricane
Strength Winds of
up to 110 mph**

With the WeatherPRO® Series PRO SlantBack you no longer need to worry about extreme weather. The unique baffle system within the WeatherPRO® Series wards off wind driven snow and rain.

- Great on standard roof pitches, *ideal for extreme pitches*
- Dade County Tested & Approved
- Patent Pending baffle system
- Patent Pending Moisture Control System
- 50 sq. in. of net free area
- Eliminates bird nesting
- Cold impact resistant down to -40°
- UV resistant polypropylene
- CSA Approved

duraflo.com
WE KNOW VENTILATION



www.duraflo.com

CAN: 1-800-461-5300 USA: 1-888-461-5307

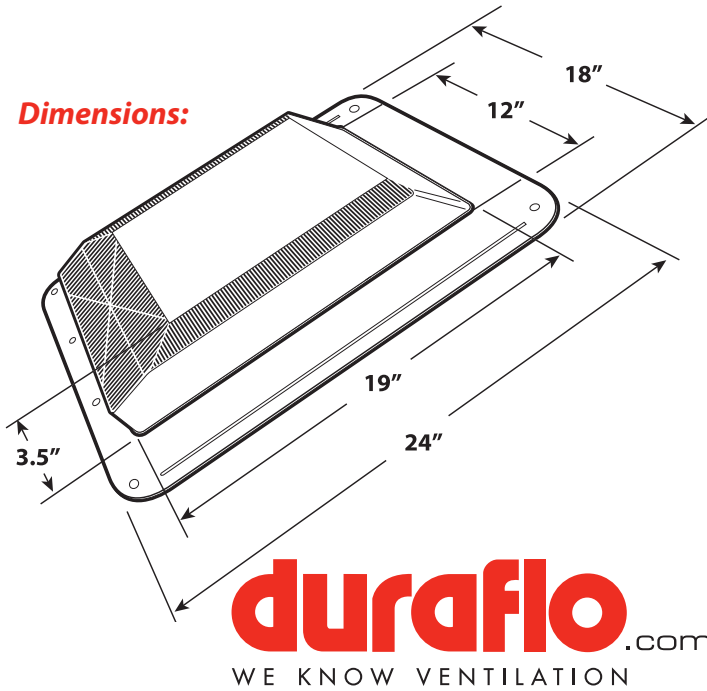
canplas

an OAliaxis company

Model: PRO SlantBack, model # 60PRO50SL

WeatherPRO[®] Series PRO SlantBack

Dimensions:



Description:

- Unique, patented, weather infiltration protection internal baffle system
- Net free venting area of 50 sq-in / 322 sq-cm
- Five PRO SlantBack's will ventilate 1000 sq ft of attic space (approx)
- Roof pitch range 2/12 – 14/12
- Injection molded from pure, high grade polypropylene with premium UV inhibitor additives
- Top venting design uses chimney effect to channel moist air away from roof eliminating shingle staining
- Vent cap design with built in weeping holes eliminates bird nesting and water pooling

Approved Certifications:



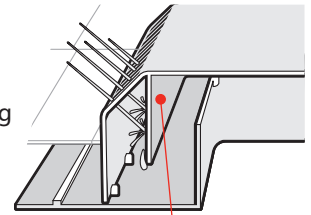
- Miami Dade High Velocity Hurricane Zone certified
- CSA Approved

Durability: Engineered to resist denting, peeling, extreme heat and cold impact to -40

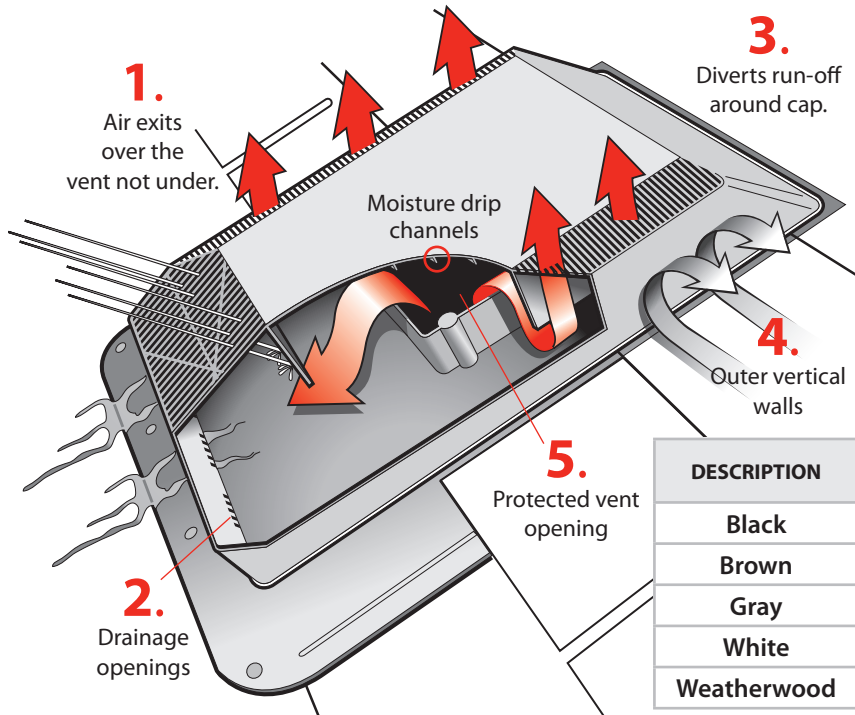
Colors: Black, Brown, Weatherwood, Gray, White

Weather Protection :

WeatherPRO's patented internal baffles deflect water and snow, allowing it to drain harmlessly out the drainage openings. Designed to allow high airflow while providing excellent defense against weather infiltration.



Interior baffle shield



1. Unique baffle system wards off driving snow and blistering rain while allowing warm moist air to exit in a chimney like fashion eliminating shingle stains.
2. Drainage openings allow for water to escape.
3. Design diverts water around vent cap.
4. The flat exterior wall acts as the first line of weather defense by deflecting driving wind over the cap and not under it like many traditional vents do.
5. The throat opening is positioned deep into the vent behind the weather protecting baffles. Also under the cap are moisture drip channels that collect fine water mist and direct it away from the opening.

DESCRIPTION	PART #	SIZE	CTN. QTY.	WT.CTN. (LBS.)
Black	60PRO50SLBL	18" x 24" x 3-1/2"	8	13.19
Brown	60PRO50SLBR	18" x 24" x 3-1/2"	8	13.19
Gray	60PRO50SLG	18" x 24" x 3-1/2"	8	13.19
White	60PRO50SLW	18" x 24" x 3-1/2"	8	13.19
Weatherwood	60PRO50SLWW	18" x 24" x 3-1/2"	8	13.19

CANADA

Canplas Industries Ltd.
P.O. Box 1800, 500 Veterans Dr.
Barrie, Ontario
Canada L4M 4V3
Tel: (705) 726-3361
Fax: (705) 726-8991
Toll Free: 1-800-461-5300

Canplas Industries Ltd.
11408 - 163rd Street
Edmonton, Alberta,
Canada T5M 3T3
Tel: (780) 451-3206
Fax: (780) 452-0536
Email: prairie.sales@canplas.com

USA

Canplas Industries Ltd.
9489 - 200 Street, Unit 201
Langley, B.C.
Canada V1M 3A7
Tel: (604) 455-0432
Fax: (604) 455-0452
Email: bc.sales@canplas.com

Canplas LLC
11402 East 53rd Ave., Suite 200
Denver, Colorado
U.S.A. 80239
Tel: (303) 373-1918
Fax: (303) 373-1923
Toll Free: 1-888-461-5307

E-mail: duraflo@canplas.com
www.duraflo.com



an OAliaxis company