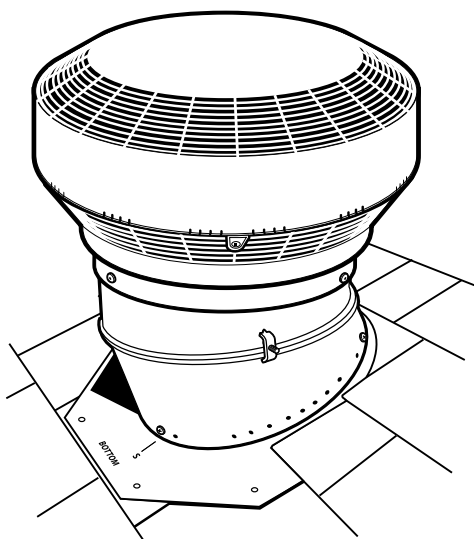


Model: WeatherPRO® PROTurbo, model # 6000

WeatherPRO[®] Series PROTurbo

Control the Weather



Description:

- No internal or external moving parts – requires no maintenance
- Net free venting area of 755 sq-cm/117 sq-in
- One Turbo will ventilate 1000 sq ft of attic space (approx) – regardless of wind speed
- Two-piece base fits roof pitches from 3/12 up to 12/12
- Large flashing allows for easy installation
- Injection molded from pure, high grade polypropylene with premium UV inhibitor additives
- Available as a full unit (including base) or as replacement top only

Approved Certifications:



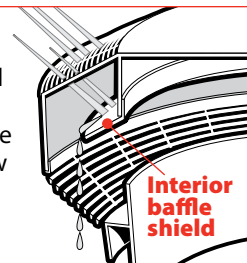
- CSA certified - Plastic Type B roof vents, for installation on sloping surfaces
- Miami Dade High Velocity Hurricane Zone certified: NOA 07.1023.01

Durability: Engineered to resist denting, peeling, extreme heat and cold impact to -40

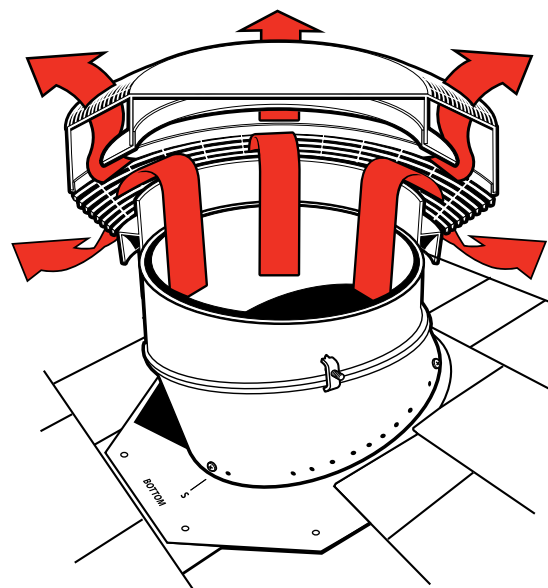
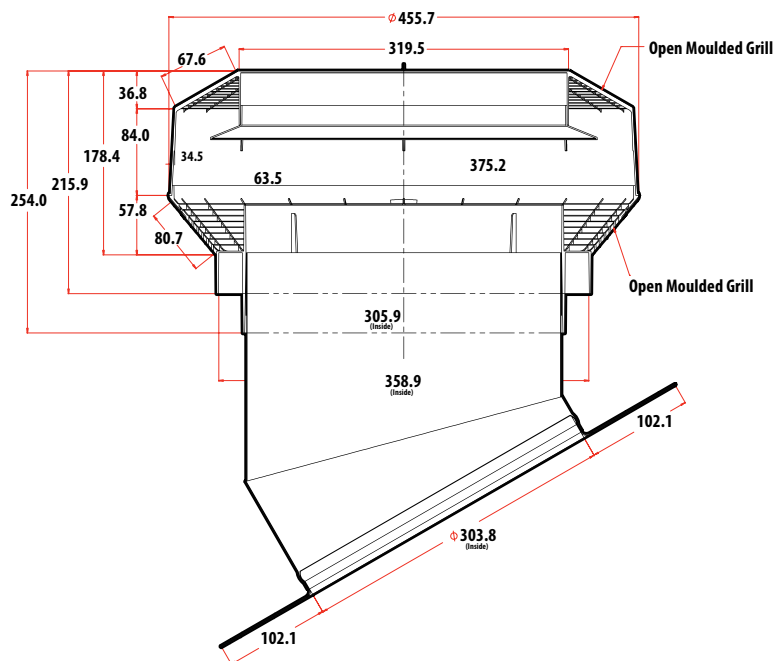
Colours: Black, Brown, Weatherwood

Weather Protection :

WeatherPRO's patented internal baffles deflect water and snow, allowing it to drain harmlessly out the drainage openings. Designed to allow high airflow while providing excellent defense against weather infiltration.



Dimensions: mm



Canplas Industries Ltd.

P.O. Box 1800, 500 Veterans Drive, Barrie, Ontario L4N 9J5
1-800-461-5300 Tel: (705) 726-3361 Fax: (705) 726-8991 www.duraflo.com

duraflo.com
WE KNOW VENTILATION

an OAliaxis company