

duraflo[®] PRO Turbo



Extreme Weather Protection

- No Maintenance Required
- High Performance Airflow
- Internal Baffle Protection System
- Easy Level Installation

The PROTurbo combines the field tested benefits of the patented WeatherPRO internal baffle system with multi stage, high volume, airflow for superior attic ventilation.

- Pivoting top with locking pitch tabs accommodate 3/12 to 12/12 roof pitches
- 117 Sq. In. Net Free Venting Area
- Crush, dent & corrosion resistant
- UV & Cold impact resistant to -40
- Available in Black, Brown, Grey & Weatherwood
- CDN Patents 2,536,023 & 2,803,775
- USA Patent 7,774,023



MIAMI-DADE COUNTY
APPROVED

TDI
Texas Department of Insurance



New **Easy Level Base**

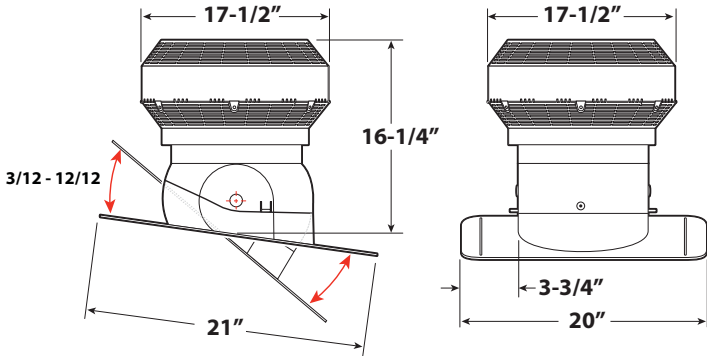


duraflo[®]
WE KNOW VENTILATION

Model #: 60PRO117

duraflo[®] PRO Turbo

Dimensions:



duraflo.com
WE KNOW VENTILATION

Description:

- No internal or external moving parts – requires no maintenance
- Net free venting area of 117 sq-in / 755 sq-cm
- One Turbo will ventilate 1000 sq ft of attic space (approx) – regardless of wind speed
- Pivoting top with locking pitch guide tabs – 3/12 to 12/12
- Large flashing allows for easy installation
- Injection molded from pure, high grade polypropylene with premium UV inhibitor additives

Standards: Tested and passed the Miami Dade County TAS No. 100(A)-95 110mph/177kmh wind driven rain test



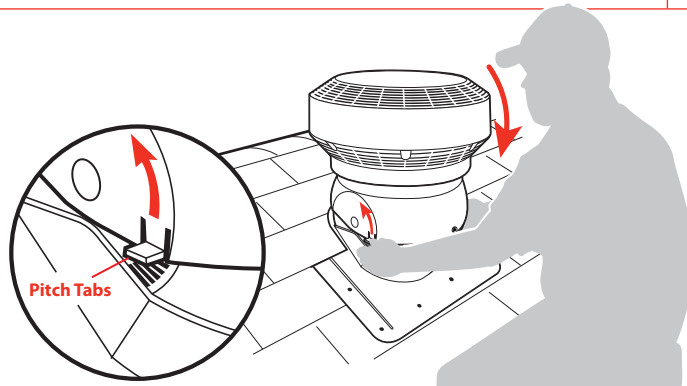
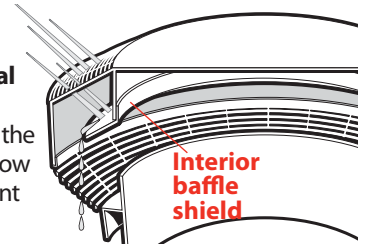
Durability: Engineered polypropylene resists denting, crushing, extreme heat and is cold impact resistant to -40°

Specifier: Visit **ARCAT**.com for complete 3-part master format specifications.

Weather Protection :



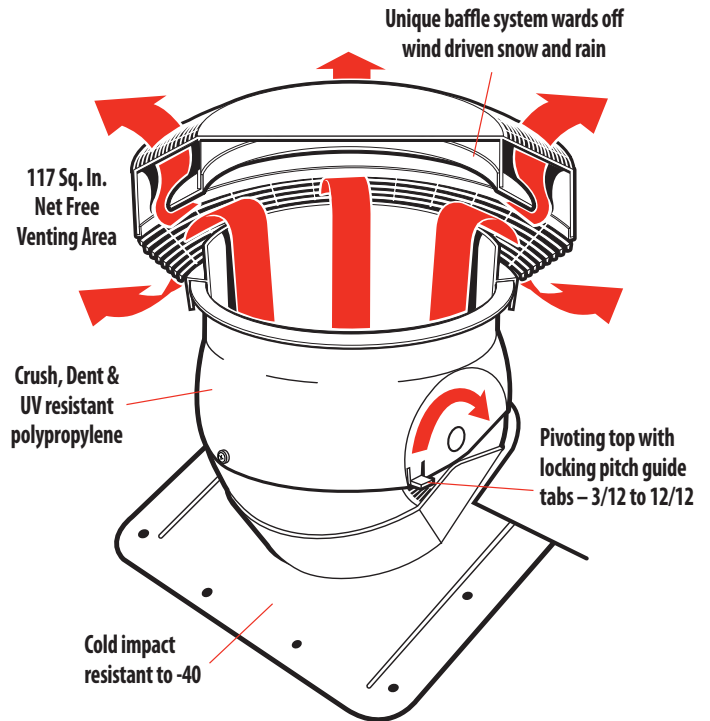
WeatherPRO's patented internal baffles deflect water and snow, allowing it to drain harmlessly out the drainage openings. Designed to allow high airflow while providing excellent defense against weather infiltration.



Easy Level System:

Lightweight , no-assembly design makes for easy handling. Setting the pitch is quick and simple with centralized pivot points, built-in adjustment tabs and pitch stops.

DESCRIPTION	PART #	SIZE	CTN. QTY.	WT.CTN. (LBS.)
Black	60PRO117BL	17-1/2" x 20" x 16-1/4"	1	6
Brown	60PRO117BR	17-1/2" x 20" x 16-1/4"	1	6
Grey	60PRO117G	17-1/2" x 20" x 16-1/4"	1	6
Weatherwood	60PRO117WW	17-1/2" x 20" x 16-1/4"	1	6



duraflo[®]
WE KNOW VENTILATION



Eastern U.S. Customers
Tel: (289) 881-0120
Toll Free: 1-800-463-9572
Fax: (905) 844-0826

Western U.S. Customers
Tel: (303) 373-1918
Toll Free: 1-888-461-5307
Fax: (303) 373-1923

www.ipexamerica.com | sales@ipexamerica.com